

automatic
TECHNOLOGY



NEOSLIDER™

COMPLETE SLIDING GATE SOLUTION

The Automatic Technology opener range now features the **NeoSlider™ 500** and **NeoSlider™ 800**. These two openers deliver increased gate weight capacity and will operate the majority of residential sliding gates.

EQUIPPED with a powerful drive unit, the NeoSlider™ range is ideally suited for gates up to 800kg while the integrated Logic Control Technology and LCD screen deliver a variety of custom settings to suit each site.

CLEVER features include soft Stop and Start, obstruction detection as well as vacation mode and pedestrian access. The unit also incorporates a service indicator and a range of controlling inputs to interface with intercoms and other auxiliary devices.

SECURE transmitters use the latest TrioCode™128 encryption technology and multi-frequency hopping to avoid radio interference. A keyed emergency release mechanism makes it possible to open and close the gate in the event of power failure.

UPGRADE options such as Safety Beams, Wireless Keypad, Smart Phone Control Kit, Battery Back Up and SmartSolar™ package are available for both gate openers.



SMART PHONE CONTROL KIT

Control your gate from your smart phone – from anywhere!

The unique long-distance range of the Automatic Technology Smart Phone Control Kit allows for gates to be operated and monitored by your smart phone. It is available as an optional accessory with the openers.

VIA THE APP YOU CAN:

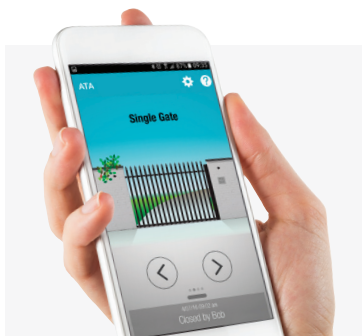
- View the status of your gate
- Control more than one location (e.g. home and work and holiday house)
- Receive alerts when the gate is open or when there is an obstruction
- View activity log so you know who has operated the gate and when
- Add as many users as you like

SMART
SIMPLE
SECURE

NEOSLIDER™



OPTIONAL ACCESSORIES



NEW SMART PHONE CONTROL

Monitor and operate your gate on your smart phone from anywhere#. Control more than one location from the one app, such as home and holiday house. Receive push notifications about the status of your gate and garage door, view past activities, set various opening modes, customise user settings and more in the Automatic Technology App.

We strongly recommend the installation and use of PE Beams when using smart phone control.

Smart Hub # 14879, Gate Transceiver # 14826



NEW BATTERY BACK UP

In the event of power failure, the Battery Back Up system takes over, even if the door or gate is moving at the time. This clever design also features a self-protection system to prevent damaging discharge of the battery. The battery backup is compact and fits neatly under the weather resistant housing of the gate opener.

We recommend the installation of Battery Back Up in areas with less reliable power supply and bush fire prone areas.

Battery Back Up # 61936



SAFETY BEAMS

Provide added protection for your family and car. Safety beams detect movement or obstruction of the gate and reverse the gate to avert serious damage being done.

Safety Beams also enable the Auto-Close function, that automatically closes the gate after a predetermined time. This means if you forget to press your transmitter button when leaving, your property will not be left unsecured.

3-wire # 61903, 2-wire # 61904, Wireless Safety Beam # 61957



WIRELESS KEYPAD

Great for families and active home owners, the wireless keypad allows secure access without a remote control or keys. To enter all you need is your PIN. You can program unique codes, set temporary users and change the code as frequently as you need to.

The wireless Keypad features the TrioCode128™ coding format that provides unparalleled security and uninterrupted operation as well as a back-lit display making it suitable for use at night and in dark areas.

Wireless Keypad # 61283



SOLAR POWER SYSTEM

Automate gates on unpowered sites, save money and reduce your carbon footprint.

Your gate opener can be powered continually using the sun's energy through our SmartSolar™ kit. The system's efficient design requires only a single solar panel per opener, and incorporates a battery system so your opener works at night or during bad weather.

NES-500 SmartSolar™ Kit # 90756, NES-800 SmartSolar™ Kit # 90757

www.automatictechnology.com.au ☎ Phone: 1300 133 944

#Subject to cellular and WiFi connection and availability. Phone not included.

*Please see full warranty terms and conditions on our website. This brochure is not evidence of our warranty. Our warranty is in addition to any consumer guarantees that may apply under the Australian Consumer Law.



NEOSLIDER™ 500

RESIDENTIAL GATE OPENER

NeoSlider™ 500 is perfect for residential gates up to a weight of 500kg and a width of 6m. This powerful unit will operate the majority of residential gates in Australia.



NEOSLIDER™ 800

HEAVY DUTY SLIDING GATE OPENER

NeoSlider™ 800 is the heavy duty sliding gate opener for residential gates up to 800kg and a width of 8m. Typically used for gates with cladding or made of heavy material, it allows homeowners to have the contemporary look that best suit their design preference.

SMART
SIMPLE
SECURE

NEOSLIDER™



TECHNICAL SPECIFICATIONS

	NeoSlider™ 500	NeoSlider™ 800
ATA Part # Single Gate Kit	60196	60198
ATA Part # SmartSolar™ Kit including single gate opener and SmartSolar™ accessories	90756	90757
Kit Type	Residential	Residential
Maximum gate weight	Up to 500 kg	Up to 800 kg
Maximum gate width	6 m	8 m
Driving force	280 N	700 N
Power Supply Voltage	230 – 240 Vac 50Hz	230 – 240 Vac 50Hz
Standby power	2.8W	2.8W
Travel speed	0.2m / second	0.15m / second
Operating ambient temperature	-20° to +50°C	-20° to +50°C
Dimensions (w x h x d)	275mm H x 250mm W x 170mm D	275mm H x 250mm W x 170mm D
Weather resistance rating	IP44	IP44
Motor type	24 DC Permanent Magnet	24 DC Permanent Magnet
Limit switch type	Mechanical	Mechanical
Type of pinion	M4-T14	M4-T14
No. of Safety Beam Inputs	2	2
Transmitter storage capacity	30 x 4 button Transmitter	30 x 4 button Transmitter
Smart Phone Control Enabled	Yes	Yes
Warranty*	2 years / 5,000 cycles	2 years / 5,000 cycles

Accessories (Optional)

Safety Beams	All types (3-wire, 2-wire, wireless Safety Beams)
Alternative Power Solutions	Battery Back Up, SmartSolar™
Access Control Options	4 button Transmitters, Keypads, Smart Phone Control Kit
Courtesy Light	Output available with Light Relay Module
Components	Sliding Gate Rack

KIT CONTENTS:

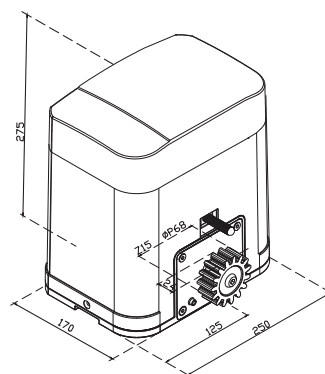


NeoSlider™ control unit

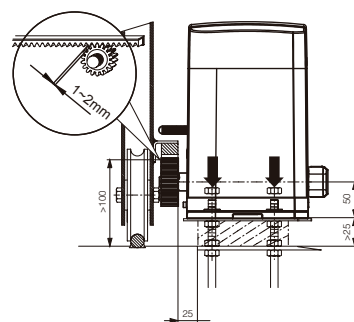


Two transmitters

DIMENSIONS:



For full installation requirements and instructions, please see the product manual.



SMART
SIMPLE
SECURE

automatic
TECHNOLOGY