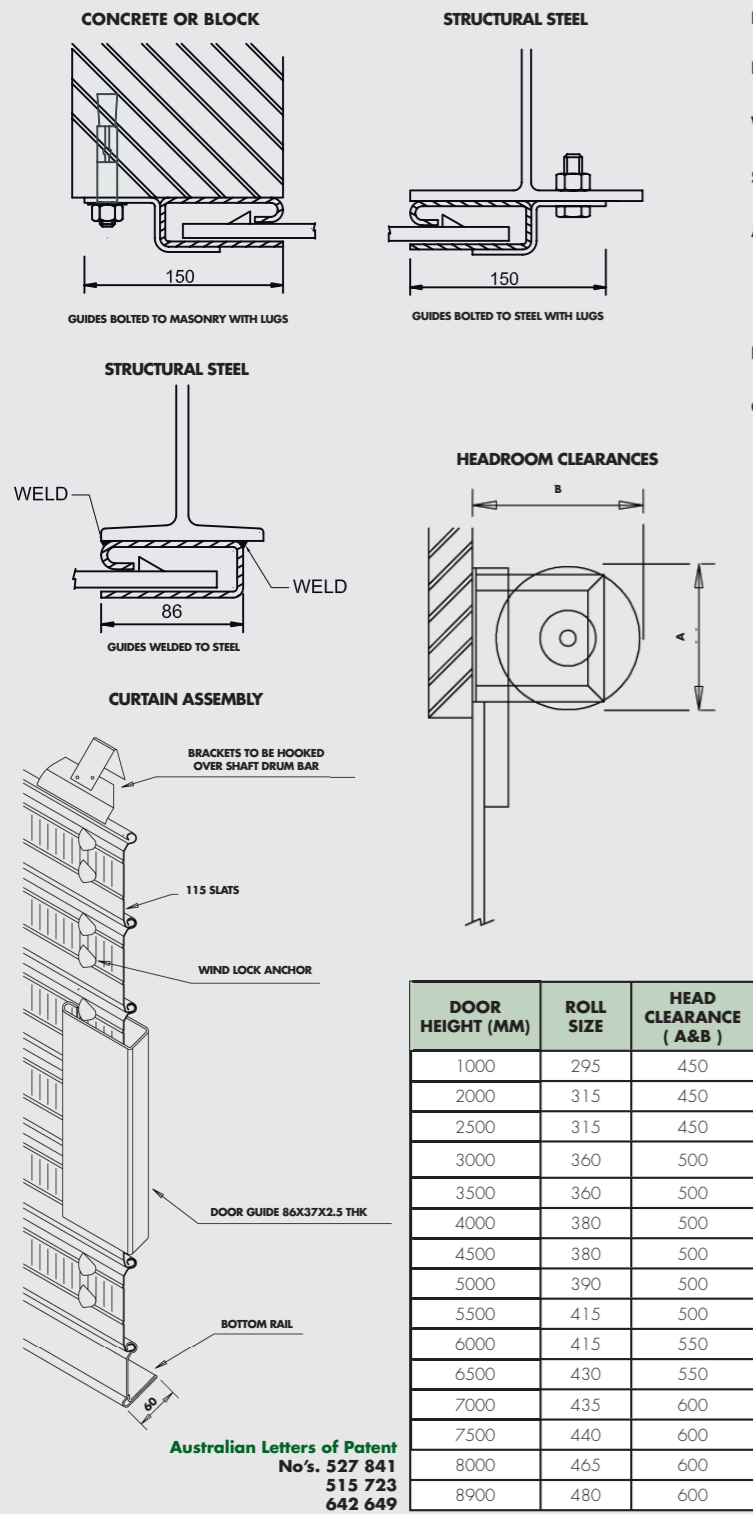


TECHNICAL DETAIL



ARCHITECTURAL SPECIFICATION

Proprietary Item: Ezi-Roll® "Industrial roller shutter" Model number EZI-115 Steel.

Door Curtain: Interlocking 115mm rib profiled Powdercoated or Galvanised steel slats

Wind Locks: Provide windlock anchors to each and every slat in conjunction with 86mm x 2.5mm windlock guides.

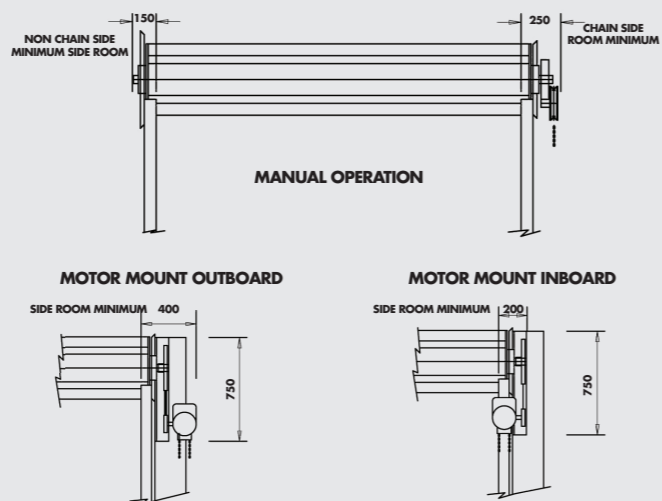
Size: 0.8, 0.9, 1.0 or 1.2mm gauge - thickness as recommended by manufacturer to suit size application and wind loads.

Axles & Springs: Heavy duty steel pipe of diameter and wall thickness to suit size and mass of roller shutter and designed to give minimum deflection. Counterbalance Springs supplied in accordance with manufacturers specification. Each spring cage shall incorporate grease lubricant & bearings

Bottom Rail: Rollformed Galvanized steel 1.55mm gauge in colour to suit door curtain.

Operation: Motorised - Roller Shutters to be fitted with 3 phase motor and gearbox, all drive sprocket gearing, up/down/stop wall mounted controller and auto engage emergency hand chain in case of power failure.

Manual Chain Hoist - Roller Shutters to be fitted with heavy duty cast iron direct or reduction gearing, manual hoist chain and wall mounted chain lock.



OPERATION SELECTION

HEIGHT	WIDTH						
	Up to 2000	2001 - 3000	3001 - 4000	4001 - 5000	5001 - 6000	6001 - 7000	7001 - 8000
Up to 2000							
2001 - 3000							
3001 - 4000							
4001 - 5000							
5001 - 6000							
6001 - 7000							
7001 - 8000							

Hand Operation Single Reduction Grifco Motor
 Double Reduction Special Motor

Ezi 115 Steel

Industrial Steel Roller Shutter



EZI-ROLL SHUTTERS | AUSTRALIAN LEADERS
QUALITY | INNOVATION | DESIGN

The Ezi 115 Steel is a steel industrial roller shutter manufactured by Eziroll Doors Australia and forms part of the Eziroll industrial steel roller shutter range. The contemporary aesthetic of this commercial roller shutter will ensure it compliments even the most modern industrial building. The Ezi 115 Steel offers additional protection against wind damage and intruders through its standard inclusion of the Eziroll patented windlock system. The Ezi 115 Steel is quick and easy to install ensuring the interruption to the building process or day to day business operations is minimal. The Ezi 115 Steel is available standard in a galvanised finish or can be powder coated to suit. A range of slotting and perforation options are available on request.



ezi-roll
Doors Australia

DISTRIBUTED BY



HEAD OFFICE
Unit 16/50 Parker Ct
Pinkenba QLD 4008
Ph: +61 7 3260 1080
Fax: +61 7 3260 1027
sales@eziroll.com.au

VICTORIA
26 Randor Street
Campbellfield VIC 3061
Ph: +61 3 9357 0749
Fax: +61 3 9357 6988
vicsales@eziroll.com.au

SOUTH AUSTRALIA
Unit 2/40 Birrallee Rd
Regency Park SA 5010
Ph: +61 8 8347 3500
Fax: +61 8 8347 3577
sasales@eziroll.com.au

ABN 96 132 559 105

www.eziroll.com.au

✓ Service and Value for Money... We Guarantee It!

DISCLAIMER

Ezi-roll Doors Australia reserves the right to alter or improve its products or any accessories at any time without notice and without incurring any obligation to make similar improvements to products previously ordered or sold.



HISTORY

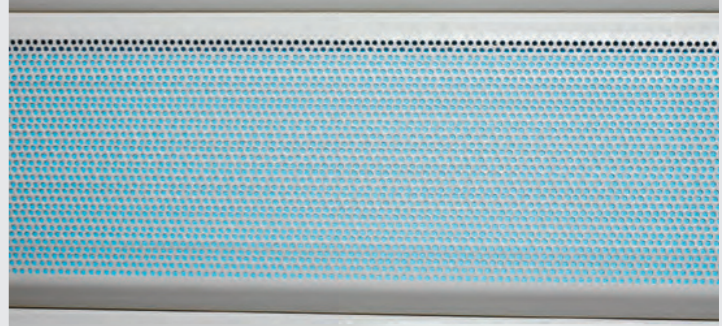
Ezi-roll steel roller shutters have been manufactured in Australia since 1971 and since its inception the ezi-roll roller shutter has been continuously developed in both design and manufacturing efficiencies.

The ezi-roll roller shutter is now one of the most respected and highly sought after products in Australia. Many original ezi-roll field installations continue to serve customers this very day, nearly 40 years on.

A distinct feature of the ezi-roll roller shutter is its precision engineering and patented windlock system which is enhanced with its attractive, contemporary and european styling.



STANDARD OPTION - No Ventilation, Rollformed, Steel Ribbed for extra strength and every slat is windlocked.



PERFORATED OPTION - Optional 3mm perforated shutter slats are available on request. Perforation is 90mm high and seen full length of slat. Doors may be fully perforated or partially perforated.



DIAMOND SLOTTED - Optional 80mm x 80mm Diamond slotted shutter slats are available on request. Slots are spaced 38mm apart. Doors may be fully slotted or partially slotted.



OVAL SLOTTED - Optional 25mm x 100mm Oval slotted shutter slats are available on request. Slots are spaced 65mm apart. Doors may be fully slotted or partially slotted.

PATENTED WINDLOCK SYSTEM

All ezi-roll steel shutters are supplied standard with its unique and patented windlock system. This system means that every slat is windlocked giving the doors unparalleled advantage in wind resilience and intruder protection. All ezi-roll steel shutters are designed to meet cyclonic wind categories.



UNIQUE PRETENSIONED AXLE ASSEMBLY

Unlike the conventional torsion spring shaft of mainstream roller shutters the ezi-roll roller shutter has been designed using specially treated strip type springs which are matched to perfectly counter balance the door.

The ezi-roll door axle assembly is supplied already pre tensioned making it extremely easy and safer to manage when installing or to field service.

QUICK INSTALLATION

Easy and quick to install. The ezi-roll shutter is by far the easiest and quickest roller shutter to install. Often an ezi-roll shutter can be installed in less than half of the time that it takes to install a conventional shutter, resulting in minimal interruption to the building construction process.

SELF SUPPORTING

The ezi-roll shutter is supported with the assistance of its guides. Often built on the ground and then tilted into place the ezi-roll shutter places less load requirement on structural supports than its mainstream conventional competitors.

Most conventional shutters are installed with the guide and head plate independent of each other, therefore placing all of the weight of the shutter on the head plates which ultimately will require stronger supports and load fixings.

MODERN CONTEMPORARY APPEARANCE

Ezi-roll spent years of research and development in designing an industrial roller shutter slat that is architecturally in tune with modern industrial building design, yet strong and practical. This has resulted in a 115mm shutter slat that is easily transported and packed due to its rigid roll formed flat steel face. The shutter when assembled due to its sheer face design provides a modern and stylish appearance complimenting any mode of commercial architecture.

MOTORISED OR MANUAL HOIST OPTION

Depending on your application, choose to either motorise your ezi-roll shutter or manually operate it with the heavy duty cast iron reduction gearing system unique to ezi-roll doors. Note: Manual hoist is not recommended for doors larger than 6m x 6m. Ezi-rolls friendly staff will assist you in selecting the right motors for your application.

POWDERCOAT OR GALVANISED

All ezi-roll shutters can be supplied either galvanised or Powdercoated in a specified colour, doors can be powdercoated one side only (standard) or both sides if specified.

WARRANTY

A 12 month limited material, labour and workmanship warranty applies to ezi-roll steel roller shutters. A copy of the limited warranty document may be obtained from an ezi-roll Doors Australia office or your local reseller of ezi-roll doors.