

RapidProtect™ 100

The door for materials handling

ALBANY
ASSA ABLOY

Technical Data Sheet

ASSA ABLOY, the global leader
in door opening solutions



RapidProtect™ 100

- In conveying systems, e.g. conveyor belts
- In areas of material handling and driverless transport locks
- For automatic lift and storage systems
- Partitioning of transport conveyors

DOOR MATERIAL

The side frames are made of galvanized steel.

DOOR CURTAIN

The door is equipped with a fabric door curtain, available in the colours blue RAL 5010, grey RAL 7035 or red RAL 3002.

A vision panel is available on request.



SAFETY FEATURES

As an option the door can be equipped with a door line photocell and/or an electrical safety contact edge (not according to EN 13241-1).

For doors with the contact edge, the clear opening height is reduced by approx. 70 mm.



CURTAIN LEVEL

In cases where the appliance is smaller than the installed door and partitioning of the surrounding area is required it is possible

to provide a made-to-measure curtain comprising of different levels. The curtain is cut into shape and strengthened via an aluminum profile.



X-LEVEL

The side frames can be optionally extended exceeding the closing edge of the door by the value X. The value X describes the space between the closing edge of the door and the floor.

In case the side frames are extended, the open space below the appliance can be closed of via a Rolltex® fabric panel (colour similar to RAL 7001).



LBANY
USA ABLOY

MOTOR AND TOP ROLL COVER

As standard the door is provided excluding the motor and top roll cover. As an option a galvanized steel top roll cover is available. A motor cover can also be provided on request.

For doors with contactor control or without a control unit a grey plastic cover can be

supplied, for frequency converter control units or chain drive units a powder-coated steel housing in the colour RAL 9006 is available.



MOTOR POSITION

The drive unit is positioned by choice on the right or the left.

On request a chain drive can be supplied for the installation in confined spaces.



CONTROL UNIT

The door is equipped with a control unit with standard functions in PVC housing.

On request the door can be supplied in combination with a frequency converter, which is positioned at the drive unit or completely without control unit.

As an option an additional module for error messages can be supplied.



The door for materials handling RapidProtect™ 100

The RapidProtect™ 100 has been especially designed for interior use in the conveyor technique. The door meets all the requirements needed for a smooth and speedy material flow. It is solely intended for materials handling and passenger transportation is strictly prohibited; it does not meet the requirements of the product standard EN 13241-1.

APPLICATION

- In conveyor systems, e.g. conveyor belts
- In the area of conveyor technique and driverless transport locks
- For automatic lift and storage systems
- For partitioning of transport lines

DOOR DESIGN

Due to its slim side frames the door is suitable for the installation in confined spaces. The side frames are made of galvanized steel, the top roll and the bottom profile are made of aluminium.

DOOR CURTAIN

The door is equipped with a curtain of 1.3 mm of fabric in the colours blue, grey or red. A vision panel is optional.

DRIVE UNIT

Electric motor with worm gearing 0.37 kw / 0.85 kw, dry signals for door open / closed. Left or right hand positioning is possible.

CHAIN DRIVE

A chain drive is available for the installation in confined spaces.

CONTROL UNIT

According to application the door can be supplied without or with control unit with standard functions in PVC housing. A control unit with frequency converter, which is located at the drive unit, is optional. As an option an additional module for error messages can be supplied.

MANUAL ACTIVATION

In the event of a power failure the door can be opened via an emergency crank handle which is available on request.

CONNECTION TO THE MACHINE

- Signaling contact "Door open"
- Signaling contact "Door closed"
- Optional signaling contact "error message"

SAFETY STANDARDS

As the door has been specifically designed for the use in appliances no safety devices applicable to passenger traffic have been considered. The door is regarded as machine and therefore complies with the machinery directive. The operator is responsible to provide safety devices.

INDICATION OF RISK

Depending on the corresponding local conditions it might be sensible or necessary to add safety devices and activators exceeding the scope of delivery. As extreme conditions may prove decisive for the selection of the ideal type of door we recommend that you consult our local sales engineers for expert advice on specific situations.

TECHNICAL DATA

Door dimension (mm) (DW min./max.) (DH min./max.)	500 / 3000 mm 500 / 3000 mm
Door area	max. 6 m ²
Opening direction	vertical
Covers Top roll cover Motor cover	• •

Surface material	
Side frames	galvanized steel
Bottom profile	Aluminium
Top roll	Aluminium

Door curtain	Travitop 1,3 mm*
Blue (RAL 5010)	✓
Grey (RAL 7035)	•
Red (RAL 3002)	•
Wind taps	✓
Extended side frame (X-level)	•
Coverage for X-level space	•
Curtain Cutout	•

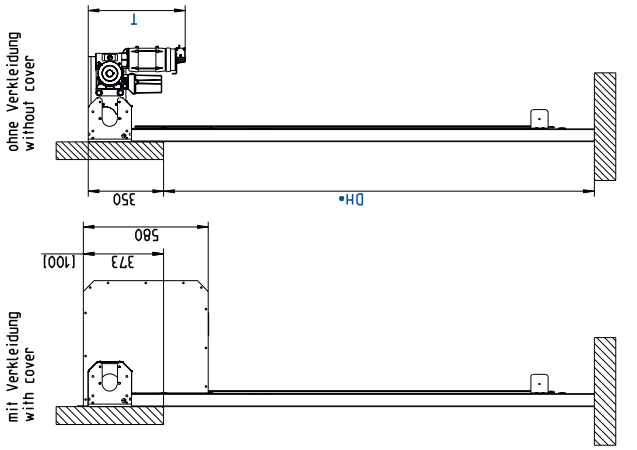
Control / Drive unit	
Drive unit	electric
Chain drive	•
Cover profile side frame for chain drive	•
Emergency crank handle for manual opening	•

Control system / Drive unit	contactor control ACS 25	frequency converter control ACS 25
Motor power	0,37 kW	0,85 kW
Speed open/close up to max.	0,9 / 0,9	1,8 / 1,1
Fuse protection	10 A	10 A
Fault indicator	•	•
3/(N)/PE 400V, 50/60 Hz	✓	
1/N/PE 230V, 50/60 Hz		✓
3/N/PE 400V, 50/60 Hz		✓
Control voltage	24 V DC	24 V DC
Protection	IP 55	IP 55
Dimension W x H x D in mm	190 x 300 x 115	190 x 300 x 115

Additional safety installations (not according to EN 13241-1)	
Door line photocell	•
Electrical safety contact edge	•

- Option
- ✓ Standard

Chain Drive

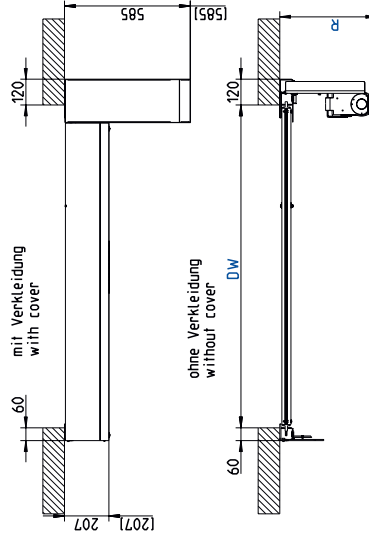
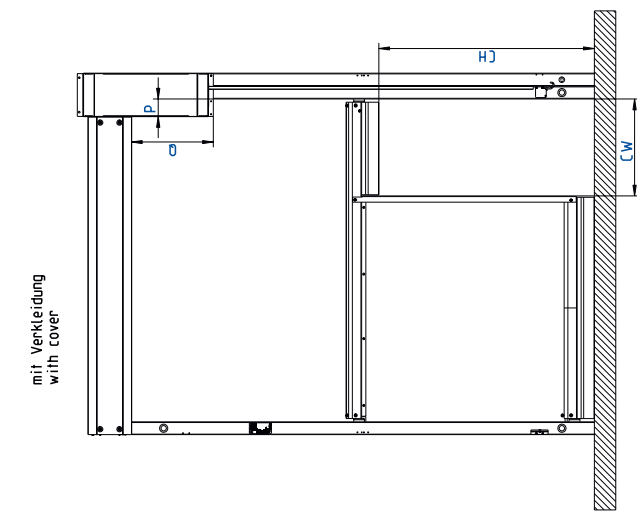


- Tore mit Kontaktleiste: 70 mm
äußere Höhe = DH
Doors with Safety-edges
usable height = DH - 70 mm

CH= curtain cutout height
Behang Stufe Höhe
CW = curtain cutout width
Behang Stufe Breite

Lieferbare Größen / Available sizes	
	CH
min:	400
max:	1000

() = Montagefreiraum
Space needed for installation

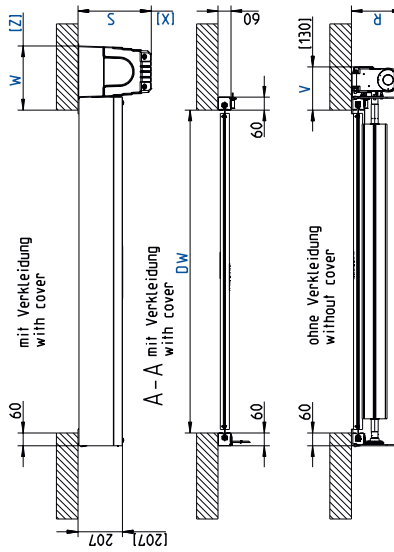
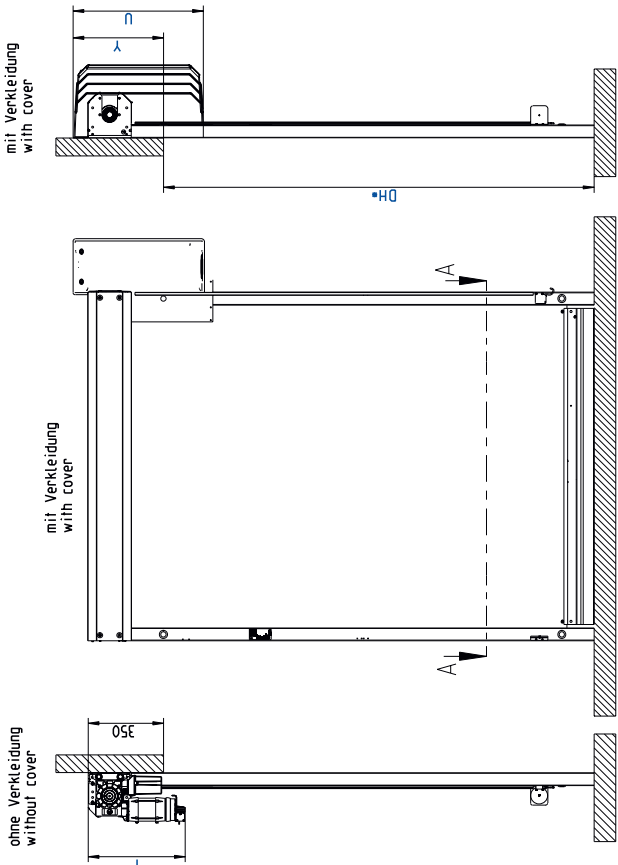


mit Motorhaube / with motor cover	
P	Q
85	232

ohne Motorhaube / without motor cover	
Contactor control / without control	
Frequency converter	
R	450
T	452
P	57
Q	102

() = Montagefreiraum
Space needed for installation

Standard



mit Motorhaube / with motor cover	
Plastic	
Steel	
Y	420
W	310
S	340
U	610
Z	50
X	340

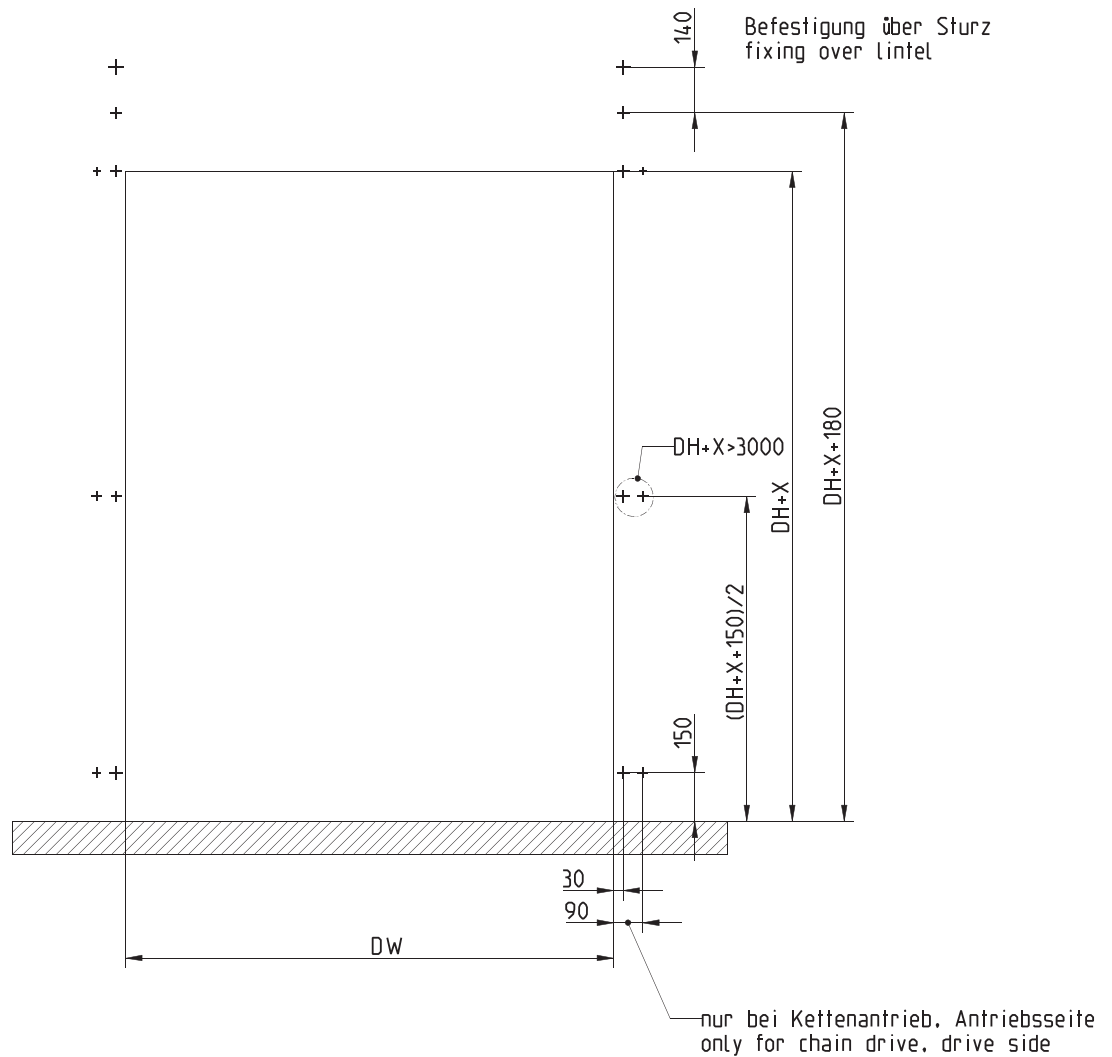
ohne Motorhaube / without motor cover	
Contactor control / without control	
Frequency converter	
V	200
R	240
T	450

() = Montagefreiraum
Space needed for installation

ASSA ABLOY Entrance Systems is a leading supplier of entrance automation solutions for efficient flow of goods and people. With a worldwide presence we offer products and services dedicated to satisfying end-user needs for safe, secure, convenient and sustainable operations. ASSA ABLOY Entrance Systems is a division within ASSA ABLOY.

www.albanydoors.com

Fixing plan RapidProtect™ 100



X= X-Level

GERMANY

Am Mondschein 25
D - 59557 Lippstadt
Phone: +49 (0) 29 41 / 766-0
Fax: +49 (0) 29 41 / 766-294
verkauf.ads.de@albint.com

AUSTRIA

Bad Halerstrasse 21
A - 4522 Sierining
Phone: +43 (0) 72 59 / 43 77
Fax: +43 (0) 72 59 / 43 77 14
info.ads.at@albint.com

SWITZERLAND

Bonstrasse 22
CH - 3186 Düringen
Phone: +41 (0) 2 64 92 51 61
Fax: +41 (0) 2 64 92 51 60
info.ads.ch@albint.com

www.albanydoors.com