

Axess® Pro Series 3000

Industrial Roller Shutter Openers

The **Axess® Pro Series 3000** range of industrial roller shutter openers provide powerful, reliable and clever automation options. Standard options across the range include:

Universal Operation

Each unit is configurable out-of-the-box as a left- or right-handed opener thanks to an innovatively designed modular timing assembly and output shaft.

M-ALPS (Magnetic Automatic Limits Positioning System)

Housed in a rubber sealed enclosure, the magnetic sensing system is highly resistant to dust, grease and other elements, while offering easy setup and maintaining accurate limits.

Plug & Play Control Options

For ease of connection, both console options connect to the powerhead via a pre-plugged CAT-5E data cable.

As standard, both options include:

- Open/Stop/Close buttons
- PG-3 Programmer connectivity
- Service indicator

The Full Logic option also provides:

- LCD screen
- Multi-button menu system with password protection
- Storage for up to 511 TrioCode™ transmitters with customisable alpha-numeric names e.g. "AB SMITH1",
- 24-hour real time clock with programmable functions
- Integration for operating inputs such as magnetic/pulse locks, PE Beams and loop detectors



3-phase Motor

As shutter openers have demanding power and reliability requirements, 3-phase motors are used across the range.

Oil Filled, Heavy Duty Gearbox

The heavy duty S45 steel and phosphor bronze gearing is immersed in a breatherless oil bath for immense reliability.

Common Mounting Pattern

All models are compatible with the common 92mm mounting hole pattern found on many new and existing installations.

Motor Overload Detection

As the 3-phase motor is designed to run with full load current, adjustable overload detection is provided to protect the shutter and opener if a physical obstruction occurs.

So, What Does What?

Axess® Pro Series 3000 uses a simple model numbering system for identification.

1st Digit <i>Series Number</i>	2nd Digit <i>Input Power</i>	3rd & 4th Digit <i>Power Rating</i>	Letter <i>Control Option</i>
3 = "3000" Series	1 = 240Va.c. 10A GPO Plug-in w/ inverter to 3-phase	05 = 0.5 HP	M = Manual
	3 = 415Va.c. hardwired w/ contactors	10 = 1.0 HP	L = Logics
		15 = 1.5 HP	

Axess® Pro Series 3100

240Va.c. 10A 1-phase GPO Plug-In with Inverter

The Axess® Pro Series 3100 range of industrial roller shutter openers provide powerful, inverter controlled, reliable and clever automation options.

Universal Operation

Each unit is configurable out-of-the-box as a left- or right-handed opener thanks to an innovatively designed modular timing assembly and output shaft.

M-ALPS (Magnetic Automatic Limits Positioning System)

Housed in a rubber sealed enclosure, the magnetic sensing system is highly resistant to dust, grease and other elements, while offering easy setup and maintaining accurate limits.

Plug-In Power Supply

All 3100 models are ready to plug in to a standard 240V 10A 1-phase general purpose outlet for ease of installation.

Inverter Control

Using a custom designed inverter, 3100 models can offer:

- Soft start/stop operation: Ramping speed up and down at the start and end of each cycle reduces stress on the shutter and opener for longer life and quieter operation.
- Speed control: The operating speed can be varied to suit the needs of the shutter and the install.

Plug & Play Control Options

For ease of connection, both console options connect to the powerhead via a pre-plugged CAT-5E data cable.

As standard, both options include:

- Open/Stop/Close buttons
- PG-3 Programmer connectivity
- Service indicator

The Full Logic option also provides:

- LCD screen
- Multi-button menu system with password protection
- Storage for up to 511 TrioCode™ transmitters with customisable alpha-numeric names e.g. "AB SMITH1",
- 24-hour real time clock with programmable functions
- Integration for operating inputs such as magnetic/pulse locks, PE Beams and loop detectors

3-phase Motor

As shutter openers have demanding power and reliability requirements, 3-phase motors are used across the range.

Oil Filled, Heavy Duty Gearbox

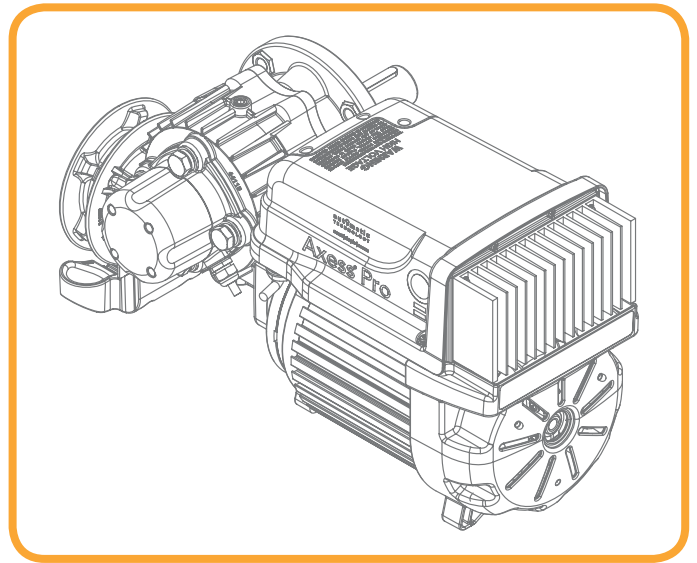
The heavy duty S45 steel and phosphor bronze gearing is immersed in a breatherless oil bath for immense reliability.

Common Mounting Pattern

All models are compatible with the common 92mm mounting hole pattern found on many new and existing installations.

Motor Overload Detection

As the 3-phase motor is designed to run with full load current, adjustable overload detection is provided to protect the shutter and opener if a physical obstruction occurs.



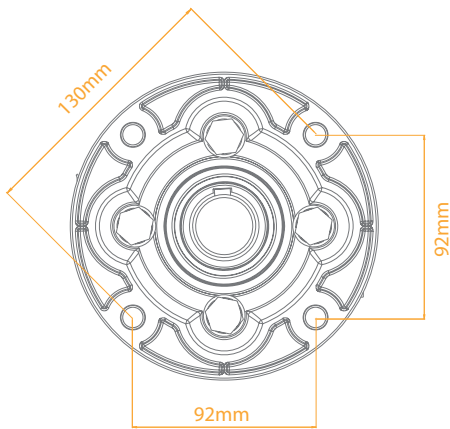
Specifications	Axess 3100 Models
Power Supply	230-240Va.c. 50Hz 1-phase
Motor Power Options	375W (0.5HP) & 750W (1HP)
Motor Type	3-phase 240Va.c. Delta Connection
Power Control/Switching	Inverter
Mains Fuses	10A 250V Slow Blow Fuse
Controller Fuse	10A 250V Slow Blow Fuse
Duty Cycle	60%
Opener Limits Travel	21 turns of output shaft - (approx. 6000mm door height)
Receiver Type	UHF Multi-frequency FM Receiver
Receiver Storage Capacity	511 X 4-Button Transmitter Codes
Receiver Sensitivity	-103 dB
Transmitter System	TrioCode™ (UHF Multi-frequency FM Transmitter)
Coding Type / Code Generation	Code hopping / Non-linear encryption algorithm
No. of Code Combinations	Over 4.29 billion random codes
Courtesy Light	Common Collector Transistor Output
Time Clock Battery	CR1220 (1.5V)

3100 Model Capabilities & Kit Contents

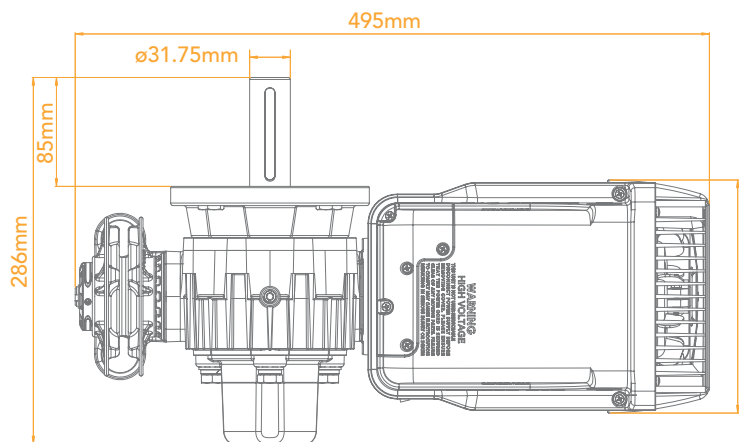
Model	Order #	Motor Power (+ ID plate colour)	Weight	Shutter Size	Included Components					
					Basic O/S/C Console	Full Logic Console	PE Beams	PTX-5 TXers	10B Drive Chain (5 feet)	14-tooth Output Shaft Sprocket
3105 M	92218	0.5 HP	19kg	18m ²	Yes	No	No	No	Yes	Yes
3110 M	92219	1.0 HP	21kg	36m ²	Yes	No	No	No	Yes	Yes
3105 L	92215	0.5 HP	19kg	18m ²	No	Yes	Yes	Yes (x2)	Yes	Yes
3110 L	92216	1.0 HP	21kg	36m ²	No	Yes	Yes	Yes (x2)	Yes	Yes

3100 Model Dimensions

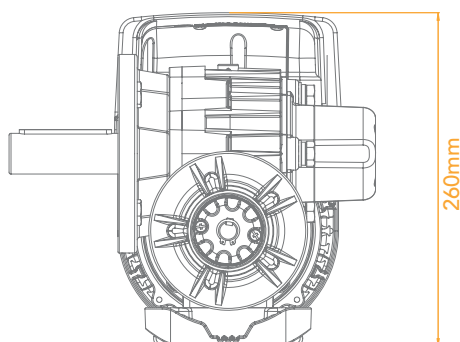
Mounting Flange



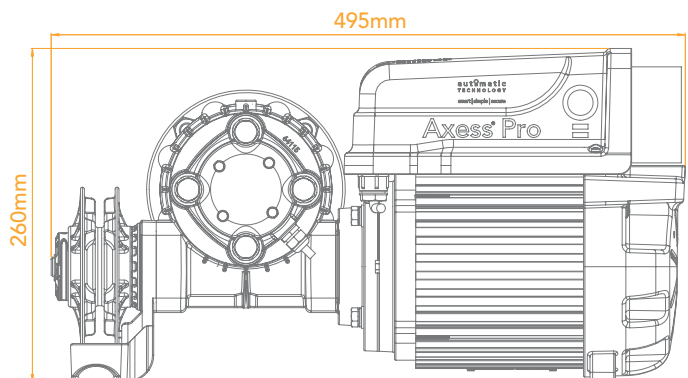
Top View



Front View



Side View



Axess® Pro Series 3300

415Va.c. 3-phase Hard Wired with Contactors

The Axess® Pro Series 3300 range of 3-phase contactor controlled industrial roller shutter openers provide powerful, reliable and clever automation options.

Universal Operation

Each unit is configurable out-of-the-box as a left- or right-handed opener thanks to an innovatively designed modular timing assembly and output shaft.

M-ALPS (Magnetic Automatic Limits Positioning System)

Housed in a rubber sealed enclosure, the magnetic sensing system is highly resistant to dust, grease and other elements, while offering easy setup and maintaining accurate limits.

3-phase Motor

As shutter openers have demanding power and reliability requirements, 3-phase motors are used across the range.

Oil Filled, Heavy Duty Gearbox

The heavy duty S45 steel and phosphor bronze gearing is immersed in a breatherless oil bath for immense reliability.

Contactor Controlled 415Va.c. 3-phase Power Supply

The hard wired 415Va.c. 3-phase power supply with contactor control enables power of up to 1.5HP on specific models.

Plug & Play Control Options

For ease of connection, both console options connect to the powerhead via a pre-plugged CAT-5E data cable.

As standard, both options include:

- Open/Stop/Close buttons
- PG-3 Programmer connectivity
- Service indicator

The Full Logic option also provides:

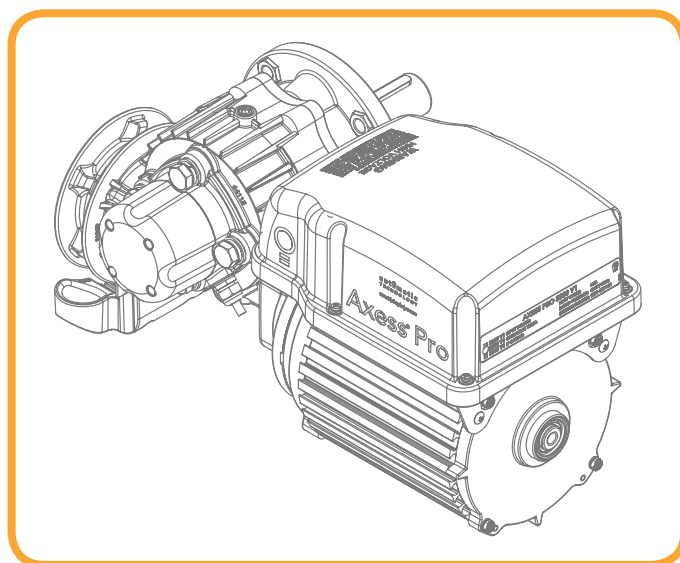
- LCD screen
- Multi-button menu system with password protection
- Storage for up to 511 TrioCode™ transmitters with customisable alpha-numeric names e.g. "AB SMITH1",
- 24-hour real time clock with programmable functions
- Integration for operating inputs such as magnetic/pulse locks, PE Beams and loop detectors

Common Mounting Pattern

All models are compatible with the common 92mm mounting hole pattern found on many new and existing installations.

Motor Overload Detection

As the 3-phase motor is designed to run with full load current, adjustable overload detection is provided to protect the shutter and opener if a physical obstruction occurs.



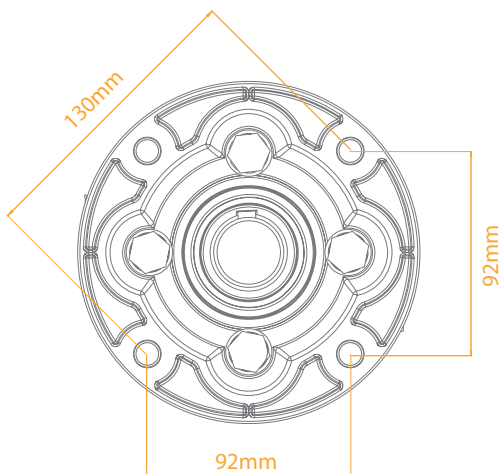
Specifications	Axess 3300 Models
Power Supply	415Va.c. 50Hz 3-phase
Motor Power Options	375W (0.5HP), 750W (1HP) & 1125W (1.5HP)
Motor Type	3-phase 415Va.c. Star Connection
Power Control/ Switching	Contactors
Mains Fuses	FLQ10 - 10A 500V Time Delayed Fuse x 3 TDC11 - 250mA 1000V Slow Blow Fuse
Controller Fuse	10A 250V Slow Blow Fuse
Duty Cycle	60%
Opener Limits Travel	21 turns of output shaft - (approx. 6000mm door height)
Receiver Type	UHF Multi-frequency FM Receiver
Receiver Storage Capacity	511 X 4-Button Transmitter Codes
Receiver Sensitivity	-103 dB
Transmitter System	TrioCode™ (UHF Multi-frequency FM Transmitter)
Coding Type / Code Generation	Code hopping / Non-linear encryption algorithm
No. of Code Combinations	Over 4.29 billion random codes
Courtesy Light	Common Collector Transistor Output
Time Clock Battery	CR1220 (1.5V)

3300 Model Capabilities & Kit Contents

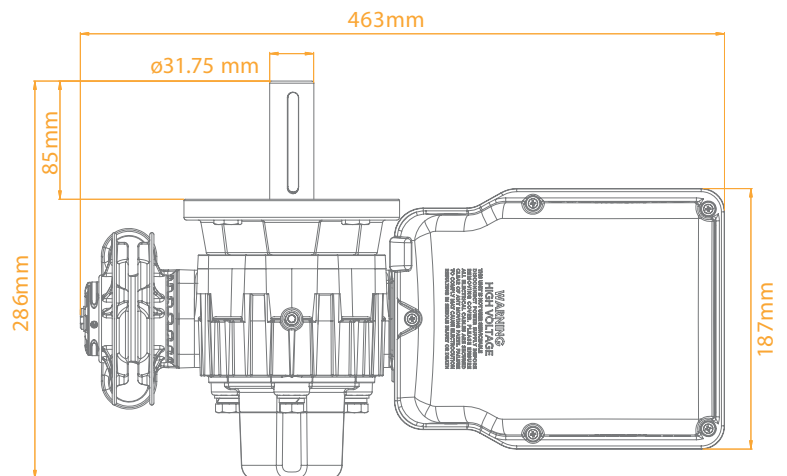
Model	Order #	Motor Power (+ ID plate colour)	Weight	Shutter Size	Included Components					
					Basic O/S/C Console	Full Logic Console	PE Beams	PTX-5 TXers	10B Drive Chain (5 feet)	14-tooth Output Shaft Sprocket
3305 M	92230	0.5 HP	19kg	18m ²	Yes	No	No	No	Yes	Yes
3310 M	92231	1.0 HP	21kg	36m ²	Yes	No	No	No	Yes	Yes
3315 M	92232	1.5 HP	23kg	50m ²	Yes	No	No	No	Yes	Yes
3305 L	92233	0.5 HP	19kg	18m ²	No	Yes	Yes	Yes (x2)	Yes	Yes
3310 L	92234	1.0 HP	21kg	36m ²	No	Yes	Yes	Yes (x2)	Yes	Yes
3315 L	92235	1.5 HP	23kg	50m ²	No	Yes	Yes	Yes (x2)	Yes	Yes

3300 Model Dimensions

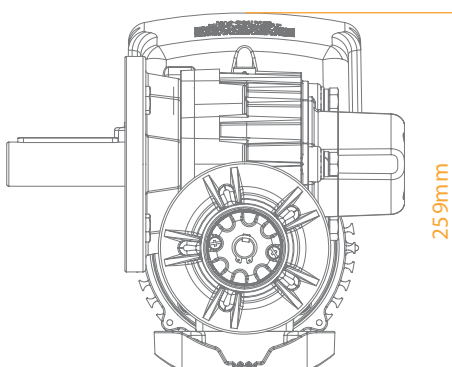
Mounting Flange



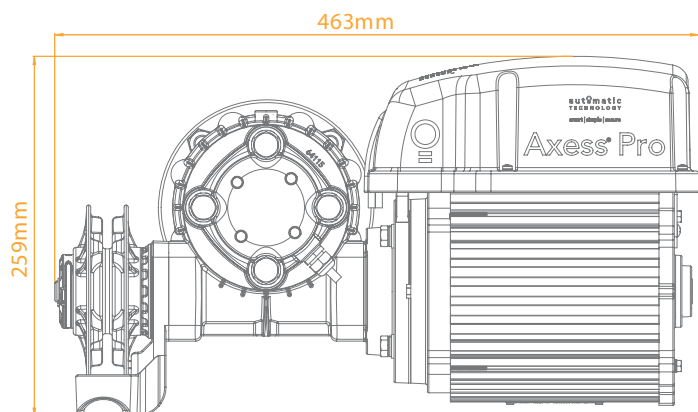
Top View



Front View



Side View



Logic Controls

Scalable, Smart, Secure

The Logic Controls packaged with all Axess® Pro Series 3000 "L" units brings together what other brands sell as separate add-ons. The all-in-one console features:

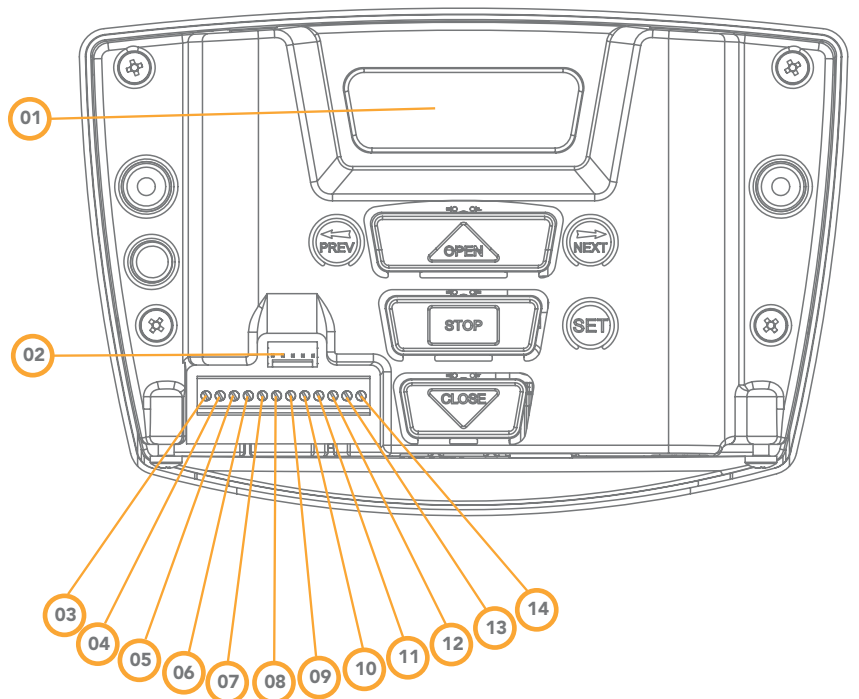
- Receiver with 511 transmitter capacity
- 24-hour, 7 day programmable real time clock
- Terminal block with configurable inputs and outputs, including variable N/O & N/C polarity settings
- LCD screen
- Access to a broad and deep menu system of configurable (see left) operating parameters
- Detailed diagnostic and servicing functions
- Password protection for settings
- Live power usage monitor

Best of all, this is all accessible from ground level. Linked to the powerhead via a data cable, there is never a need to scale great heights to wire in an accessory, change limits or modify settings.

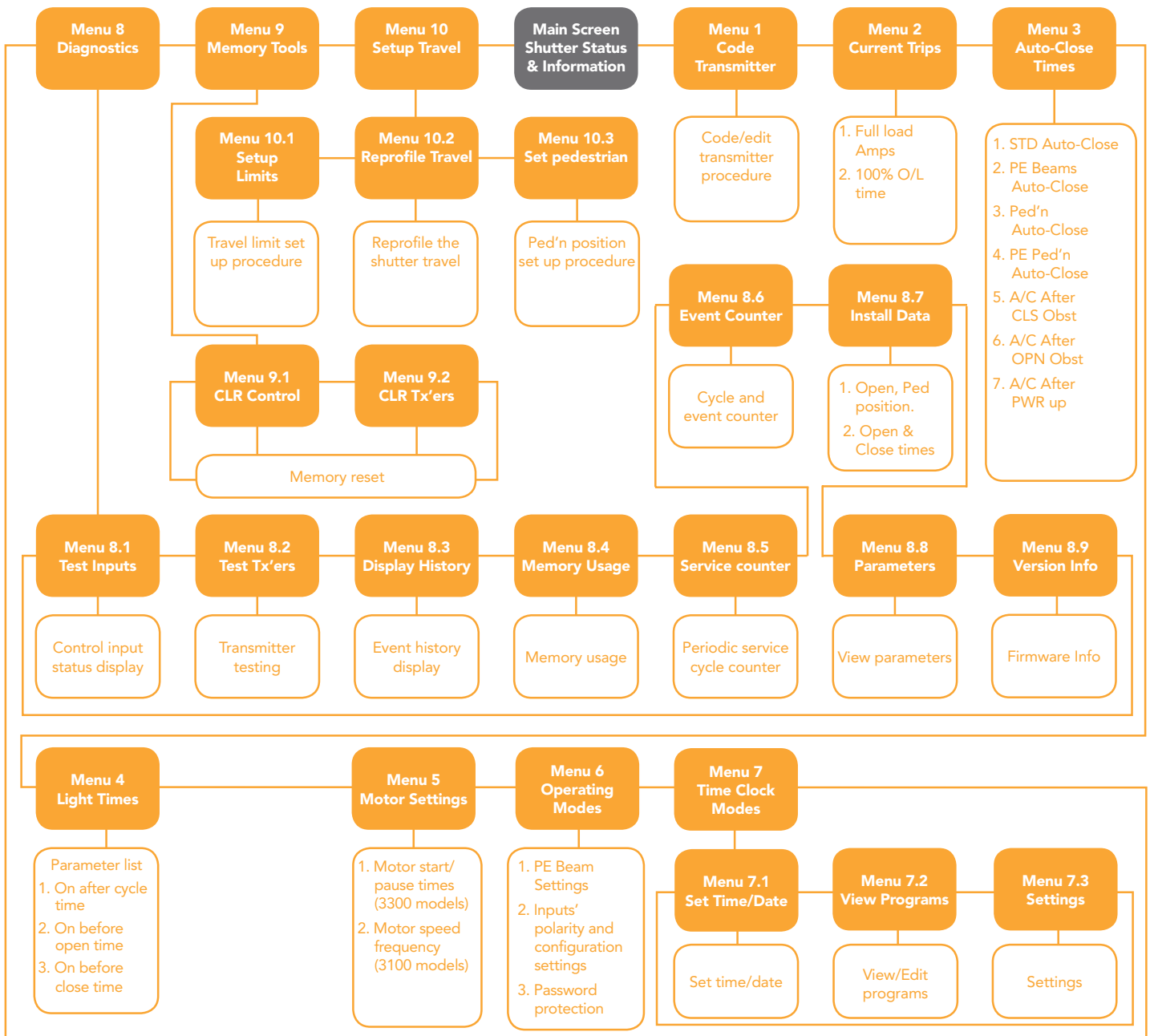


Full Logic Input & Output Layout

- 01 LCD Screen
- 02 PG-3 Programmer Terminal
- 03 V+ 3-Wire PE Beams "+" Supply
- 04 IN3 3-Wire PE Beams Trigger Input
- 05 V- Common For 2-Wire EasyBeam™ and 3-Wire PE Beams
- 06 IN2 Two Wire EasyBeam™ Input
- 07 AUX OUT Receiver's Auxiliary Output
- 08 FIRE N/O , N/C Input Terminal
- 09 GPI N/O Input Terminal
- 10 OPN N/O , N/C Input Terminal
- 11 STP N/O , N/C Input Terminal
- 12 CLS N/O Input Terminal
- 13 SWP N/O Input Terminal
- 14 COM Terminal For Inputs




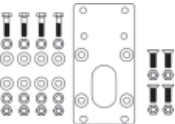



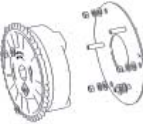
Logic Control Menu Structure



Grifco General Comparison Table

ATA Model	Grifco Model									
	ML4051	ML4051 + Logics	ML4102	ML4102 + Logics	ML4053	ML4053 + Logics	ML4103	ML4103 + Logics	ML4153	ML4153 + Logics
	0.5 HP 1 phase	0.5 HP 1 phase	1.0 HP 1 phase	1.0 HP 1 phase	0.5 HP 3 phase	0.5 HP 3 phase	1.0 HP 3 phase	1.0 HP 3 phase	1.5 HP 3 phase	1.5 HP 3 phase
3105 M	X									
3110 M			X							
3105 L		X								
3110 L				X						
3305 M					X					
3310 M							X			
3315 M									X	
3305 L						X				
3310 L								X		
3315 L										X

Key Accessories

ATA Part #	Image	Description
92522		Mounting Bracket Kit - Includes Angle Mounting Plate - 92mm x 92mm Hole Pattern Angle - 50mm x 50mm x 265mm
92250		Adaptor Plate Kit - Includes Fixings To mount to old-style Grifco® and ATA Axess® 2000 mountings
92422		Manual Hauling Chain 8.25 metre length
92236		B&D-style Grey Nylon 43-tooth Sprocket ONLY to suit Series 2-type Roll Up Doors
92237		Reinforcing Steel Disc ONLY to suit Steel-Line/Gliderol "Series 2" style Roll Up Door
92238		B&D-style Grey Nylon 43-tooth Sprocket <u>with</u> Reinforcing Steel Disc to suit Series 2-type Roll Up Doors

© 2006-2012 Automatic Technology (Australia) Pty Ltd. All rights reserved. The Automatic Technology logos, "smart | simple | secure" wordage, feature icons, Axess® & TrioCode™ are trademarks and registered trademarks of Automatic Technology (Australia) Pty Ltd. No part of this brochure may be reproduced without prior permission. In an ongoing commitment to product quality we reserve the right to change specification without notice. E&OE. Printed April 2012.

Automatic Technology (Australia) Pty Ltd | 6-8 Fiveways Boulevard, Keysborough, Victoria 3173 Australia
P +61 (0) 3 9791 0200 F +61 (0) 3 9791 0250 www.ata-aust.com.au

An **aleSCO** Company ABN 11 007 125 368